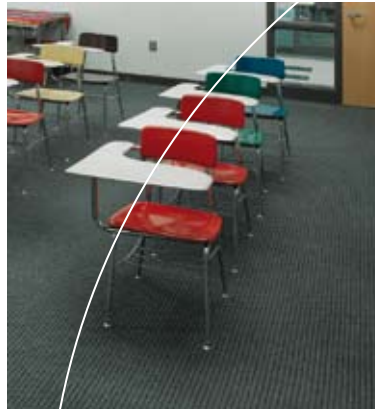


# R3



## *Compact, Rapid-drying Carpet Cleaner*

- Turn congested areas quickly; with patented ReadySpace technology carpet is clean, dry, and ready for use in less than 30 minutes
- Clean compact spaces easily with ultra-low profile, compact design
- Quietly clean with true OSHA recognized 69 dBA sound level



## Carpets cleaned with ReadySpace technology are dry and ready for foot traffic in less than 30 minutes.

### Fresher, Healthier Environments

ReadySpace helps reduce mold and bacteria growth and leaves cleaner, healthier spaces by using up to 80% less water to clean, and leaving up to 90% less water in the carpet.

### Increase productivity in tight spaces

Clean with ease in tight, congested areas, such as office spaces, with near effortless forward and reverse cleaning action.

The ultra-low profile design and quick-adjust handle extends your cleaning reach under low profile desks and tables.

### Easy to fill and empty tanks

Easy to fill, empty, and clean Hygenic lift-off tanks offer a unique compact design. Ergonomic handles and grips ensure easy pick up.



### BEAUTIFULLY CLEAN, ALWAYS READY CARPET SPACES

Improve carpet appearance and luster with ReadySpace's exclusive soil transfer rollers that lift and remove the dirt vacuuming leaves behind. The results are exceptional:

- Remove dirt and debris with virtually no wickback.
- Keep high-traffic areas looking new with frequent cleanings.
- Minimize chemical usage and buildup.
- Extend the time between deep extractions.
- Maximize carpet life. ReadySpace technology will not damage carpet (unlike bonneting).



## FROM CLEAN TO CROWD IN MINUTES

Reopen spaces sooner with ReadySpace technology



### First Shift

6:30 AM – Cleaning crew finishes cleaning small office space with Tennant R3.  
7:00 AM – Carpet is clean, dry, and ready for office traffic.



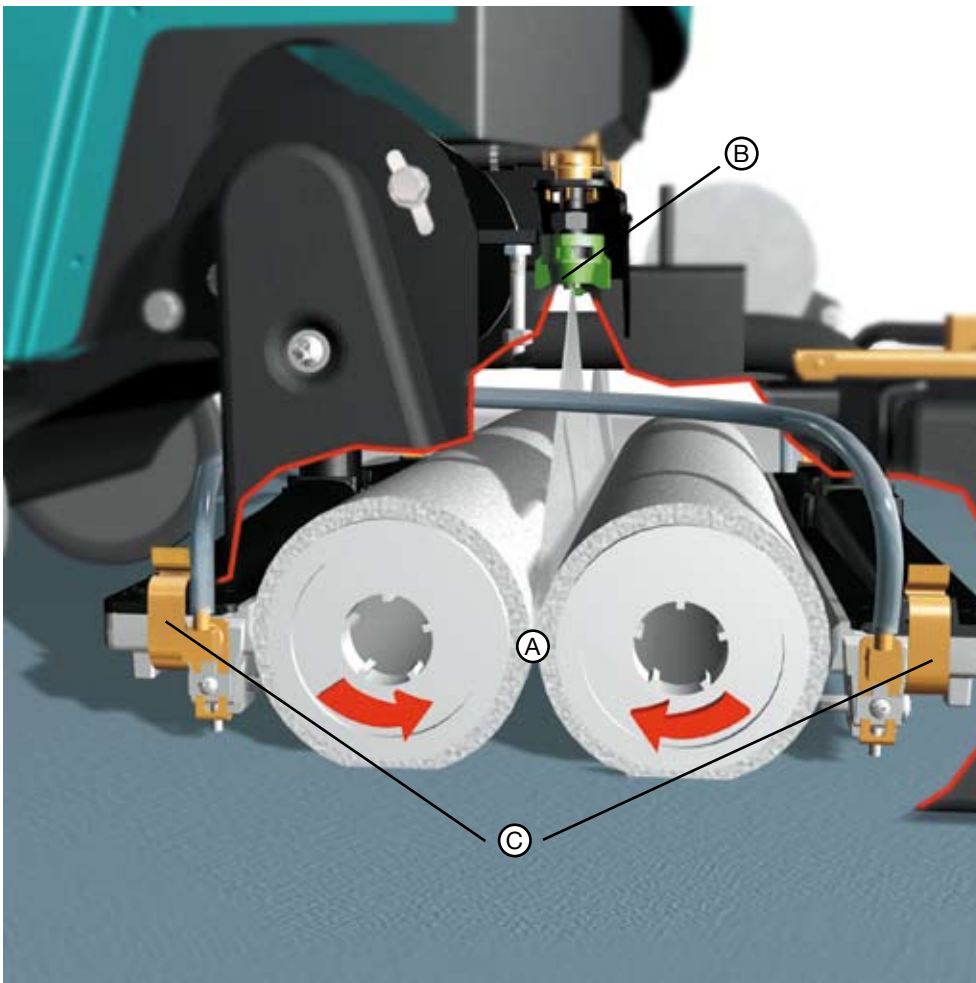
### Check In

2:30 PM – Housekeeping finishes cleaning the hotel room with Tennant R3.  
3:00 PM – Carpet is clean, dry, and ready for guest check in.



### Store Open

8:30 AM – Mall maintenance finishes cleaning stores.  
9:00 AM – Carpet is clean, dry, and ready for shoppers.



## PATENTED READYSACE TECHNOLOGY

- A** Unique soil-transfer rollers are the basis for ReadySpace. When damp, these fabric rollers grab dirt from the carpet fibers and lift it into the machine.
- 
- B** Inside, a sprayer rinses soil from the rollers, not the carpet.
- 
- C** Two powerful individual vacuum shoes extract the dirty water into the recovery tank.



## R3 CORD-ELECTRIC READYSpace

### GENUINE TENNANT PARTS, SUPPLIES & SERVICE

#### Genuine Tennant Parts Advantage

Operate your machine with confidence by choosing genuine Tennant parts. Only authentic Tennant parts are engineered in conjunction with Tennant equipment. For years of worry-free operation, accept only genuine parts and supplies.

#### Factory trained service network

Providing world-class response, completion times and on-site machine service, a network of factory trained service representatives is dedicated to keep your cleaning program up and running.

#### Cleaning System

Cleaning path	380 mm
Solution tank	19 l
Recovery tank	19 l
Roller size (dual cylindrical)	380 mm
Roller speed	450 rpm
Roller motor (2)	0,22 kW
Vacuum fan	2-stage, 0.89 kW
Vacuum motor airflow (max)	2.8 m <sup>2</sup> /min
Vacuum system sealed waterlift	2,180 mm
Solution pump pressure	4.48 bar
Solution spray rate	0.76 lpm
Sound level (operator's ear)	69 dBa

#### Dimensions/Weight

Product length	750 mm
Product width	490 mm
Product height	710 mm
Product weight	53 kg
Power cord	15 m

**Warranty** 12 Months on parts and 12 months on labour, excluding wear items.



### SEEING IS BELIEVING

See for yourself how the R3 can help you reach a higher standard of cleanliness and safety in your facility. For a demonstration or additional information, call 800.553.8033.

#### TENNANT EUROPE NV

Plantin & Moretuslei 220  
2018 Antwerp  
BELGIUM  
Tel: +32 3 217 94 11  
Fax: +32 3 217 94 19  
E-mail: [info@tennant.be](mailto:info@tennant.be)  
[www.tennant.be](http://www.tennant.be)

#### TENNANT UK LTD.

Gladstone Road  
Northampton NN5 7FX  
UNITED KINGDOM  
Tel: 00800-2255 8366  
Fax: 00800-3298 3662  
Tel: 01604 583191 (local rate UK only)  
Fax: 01604 587909 (local rate UK only)  
E-mail: [europa@tennantco.com](mailto:europa@tennantco.com)

#### TENNANT CEE GmbH

Sommerfeld 1  
5202 Neumarkt am Wallersee  
AUSTRIA  
Tel: +43 (0)6216 4524 & 4525  
Fax: +43 (0)6216 4524 20  
E-mail: [office@tennant-cee.com](mailto:office@tennant-cee.com)